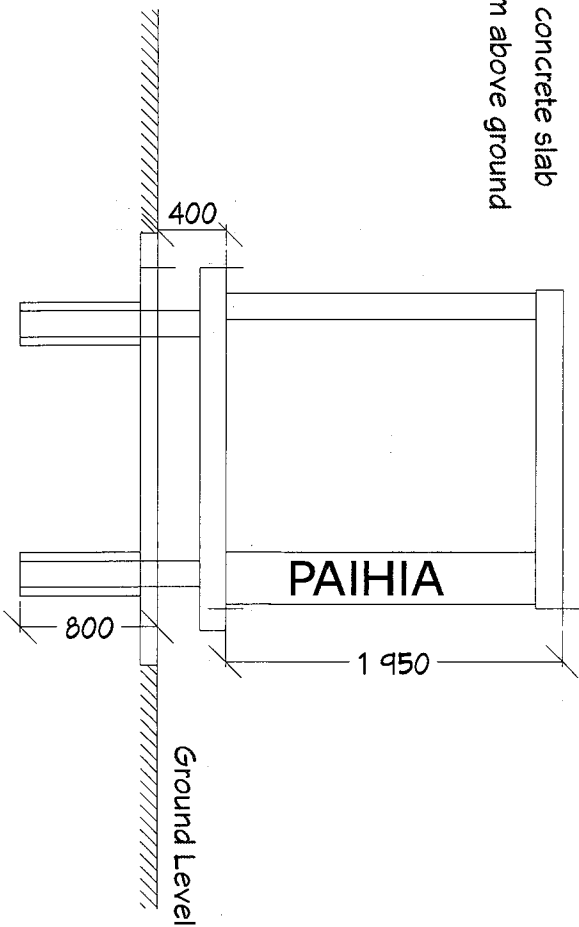
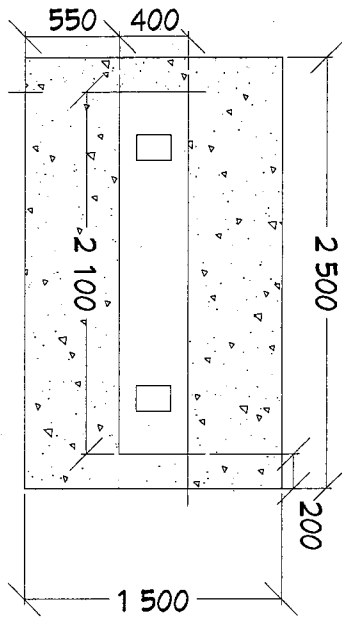


Seat:
 Approx 2100mm x 400mm
 Solid Sleeper construction - 200mm x 150mm
 Frame height 1950mm above top of seat

Mount
 2500mm x 1500mm x 100mm mesh reinforced concrete slab
 200mm x 150mm (min) sleeper uprights 250mm above ground
 Seat level 400mm above ground
 Embedded depth 800mm encased in concrete



NO.	DESCRIPTION	BY	DATE

DRAWINGS PROVIDED BY: GATOR Holdings	PROJECT DESCRIPTION: Rotary Club Picture frame seat	SHEET TITLE: Plan and Elevation	DATE:	
			SCALE:	N/A
DATE: 04/03/2026	SCALE: N/A	SHEET: A-1		

19 February 2026

To whom it may concern,

Proposed installation of photo-frame at Stockyard Point by BOI Rotary Club

I am the Chair for Focus Paihia Charitable Trust. I met with Nadia Lehmann, President of BOI Rotary Club, at Stockyard Point on 17 November to consider their proposal to install a photo-frame on the grassed area seaward of the toilet block. The frame would require a concrete pad for support. Factors considered were impact on the view, stability of the ground, effects on maintenance and the value added to the visitor experience. The location chosen is considered suitable. The Trustees are supportive of the proposal.

I hope the Council sees fit to endorse this initiative.

Yours sincerely



Tricia Scott

Chair

Focus Paihia Charitable Trust

Mark Inglis

From: Ngati Kawa Taituha <ngatikawat@gmail.com>
Sent: Friday, 19 December 2025 12:55 pm
To: Mark Inglis
Subject: Re: Consultation on Rotary Tourism Frame

CAUTION: This email originated from outside Far North District Council.
Do not click links or open attachments unless you recognise the sender and know the content is safe.

Yes, I understand community funds have been used to create the sign so if it's erected there it'll be money well spent and I can't see much objection to it. Our whanau do actually like the sign but last time it was definitely in the wrong place by the Waitangi playground. This new location addresses the issue.

On Fri, 19 Dec 2025 at 5:16 AM, Mark Inglis <Mark.Inglis@fndc.govt.nz> wrote:

Tena koe Ngati Kawa,

Thanks for coming back so quickly. So you are happy for Rotary to go ahead at Stockyard Point?

Cheers

Mark



Mark Inglis

Facilities Lead - Technical Operations

M 272415691 | P 6494015182 | Mark.Inglis@fndc.govt.nz

Te Kaunihera o Te Hiku o te Ika | Far North District Council

Pokapū Kōrero 24-hāora | 24-hour Contact Centre 0800 920 029

fndc.govt.nz



From: Ngati Kawa Taituha <ngatikawat@gmail.com>

Sent: Thursday, 18 December 2025 7:46 pm

To: Mark Inglis <Mark.Inglis@fndc.govt.nz>

Subject: Re: Consultation on Rotary Tourism Frame

CAUTION: This email originated from outside Far North District Council.
Do not click links or open attachments unless you recognise the sender and know the content is safe.

Kia ora,

Yes, I'm aware of the sign.

It has Paihia written on it so will be much more appropriate on that spot

Nga mihi

Ngati Kawa

On Tue, 16 Dec 2025 at 11:53 PM, Mark Inglis <Mark.Inglis@fndc.govt.nz> wrote:

Tena koe,

Council has had a request from the BOI Rotary to install a tourism frame at Stockyard Point Paihia, in the position indicated in the attachment. I understand it is the same installation that was removed from the Te Tii Beach waterfront.

The board would like to consult the hapu on the suitability of this new location and I am writing to check with you about the best process for this. If you would agree to consult on this matter, would a formal letter with the proposal be required or a presentation at a komiti meeting or some other process?

Many thanks for considering this matter.

Nga mihi



Mark Inglis

Facilities Lead - Technical Operations

M 272415691 | P 6494015182 | Mark.Inglis@fndc.govt.nz

Mark Inglis

From: Bill Edwards <BEdwards@heritage.org.nz>
Sent: Wednesday, 4 March 2026 3:02 pm
To: Mark Inglis
Cc: James Robinson
Subject: RE: installation at Stockyard Point Paihia
Attachments: Heritage New Zealand Northland ADP 2016.doc

CAUTION: This email originated from outside Far North District Council.
Do not click links or open attachments unless you recognise the sender and know the content is safe.

Kia ora Mark

Please operate under an ADP attached.

Nga mihi


Bill

Bill Edwards Area Manager, Northland | Heritage New Zealand Pouhere Taonga | Northland Area Office, 21 Hobson Ave, PO Box 836 Kerikeri 0245, New Zealand | Ph: (64 09) 407 0470 | DDI: (64 09) 407 0471 | Visit www.heritage.org.nz and learn more about New Zealand's heritage places

Tairangahia a tua whakarere; Tatakihia nga reanga o amuri ake nei- Honouring the past; Inspiring the future

This communication may be a privileged communication. If you are not the intended recipient, then you are not authorised to retain, copy or distribute it. Please notify the sender and delete the message in its entirety.

From: Mark Inglis <Mark.Inglis@fndc.govt.nz>
Sent: Wednesday, 4 March 2026 1:23 pm
To: Bill Edwards <BEdwards@heritage.org.nz>
Subject: installation at Stockyard Point Paihia

 You don't often get email from mark.inglis@fndc.govt.nz. [Learn why this is important](#)

Kia ora Bill,

FNDC is considering all implications of installation of a Tourist Photo Frame at Stockyard Point, as per the attached plan. My manager Ivan Ashby has asked me to consult with you as to whether there are any implications of digging in this area.

A colleague is meeting on site to determine the detailed location but close to the location indicated on the attachment.

Cheers



Mark Inglis

Facilities Lead - Technical Operations

M 272415691 | P 6494015182 | Mark.Inglis@fndc.govt.nz

Te Kaunihera o Te Hiku o te Ika | Far North District Council