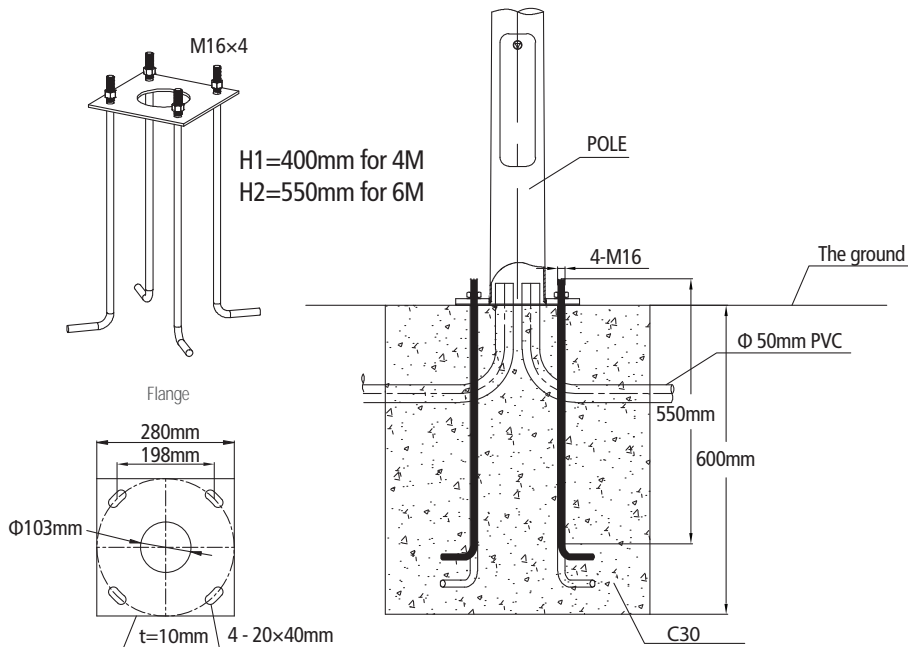


POLE GPL800-4M/6M

FEATURES

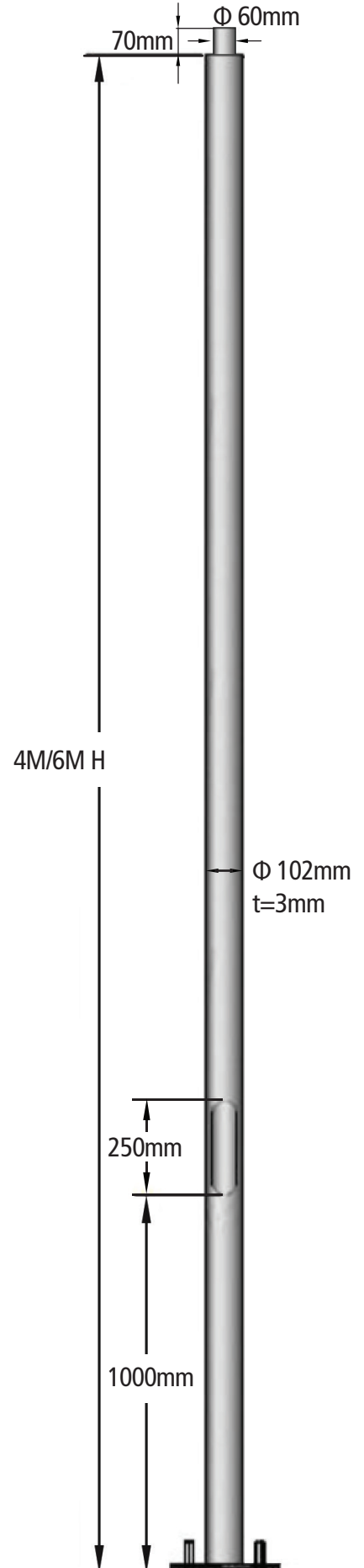
- Material Q235 steel pipe pole
- Surface treatment: Hot dip galvanisation with thickness of 80-100µm and anti-ageing electrostatic spray processing with super resistance to corrosion
- Ultimate support weight: 250KG
- Customised colour or lengths are available

FOUNDATION



GPL800/BASE COVER BK
 GPL800/BASE COVER SL
 (order separately)

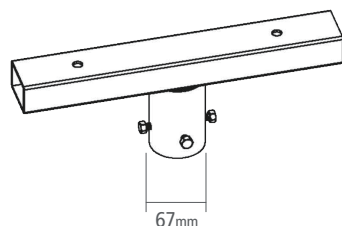
MODEL NO.	COLOUR
GPL800/4M BK	Black
GPL800/6M SL	Silver
GPL800/6M BK	Black



ⓘ Specifications above are for reference only and may vary without prior notice

ACCESSORIES

Customised floods bracket

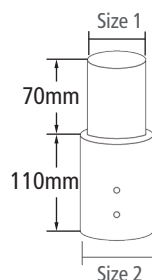


- Material: Q235 steel
- Surface treatment: Hot dip galvanisation with thickness of 80-100 μ m and anti-ageing electrostatic spray processing with super resistance to corrosion. Customised colour or lengths are available

Stock item code (Suitable for Bright Star and Marina floods)

MODEL NO.	DIMENSIONS
<p>GPL800 SINGLE T BRACKET SL</p>	
<p>GPL800 TWIN T BRACKET SL</p>	

Customised pole adaptor



Size 1:
Top exterior diameter options: 48, 60, 76mm

Size 2:
Bottom interior diameter options: 60, 76, 89mm